

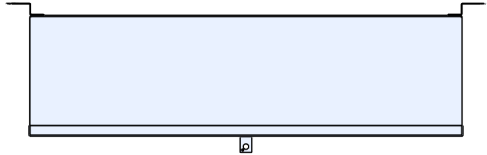
2

1

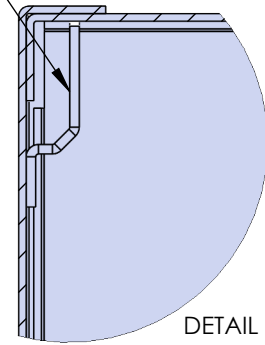
NOTES:

- 1. BOX AND COVER N1 CONSTRUCTION:
GALV SHEET STEEL (14GA)
- 2. FINISH: POWDERCOAT GRAY ENAMEL.
- 3. TO BE LABELED AS FOLLOWS:
MANUFACTURERS NAME
800A, 600VAC MAX, 3P 4W;
2 SETS 500MCM PER PHASE
- 4. RATED FOR 50,000 SYM RMS AMPS.
- 5. UL LISTED.
- 6. CABINET WILL HAVE NAME PLATE ON THE OUTSIDE.
- 7. INCLUDES HARDWARE KIT OF:
 - (8) ND-600-2 LUGS
 - (14) 1/2"-13 SS HEX NUTS
 - (14) 1/2"-13 X 2" SS TAP BOLTS
 - (28) 1/2" SS BELLEVILLE WASHERS
 - (28) 1/2" SS FLAT WASHERS
 - (12) 1/4"-20 HEX NUTS ON CT MOUNTING BRACKET

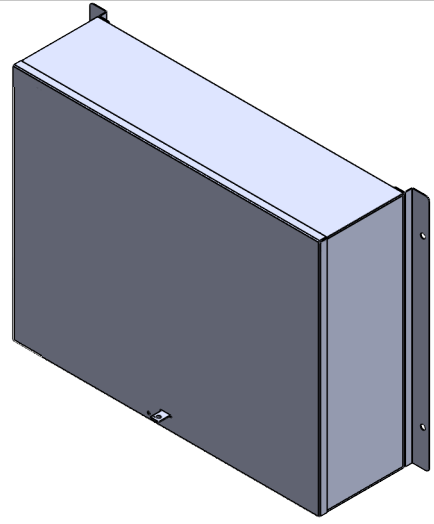
TOP VIEW



2 BRACKETS WELDED
ONTO COVER, INSERTED
INTO SLOTS OF
ENCLOSURE TO SECURE



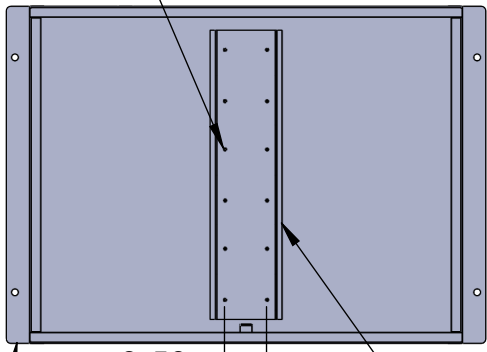
DETAIL B
SCALE 1 : 2



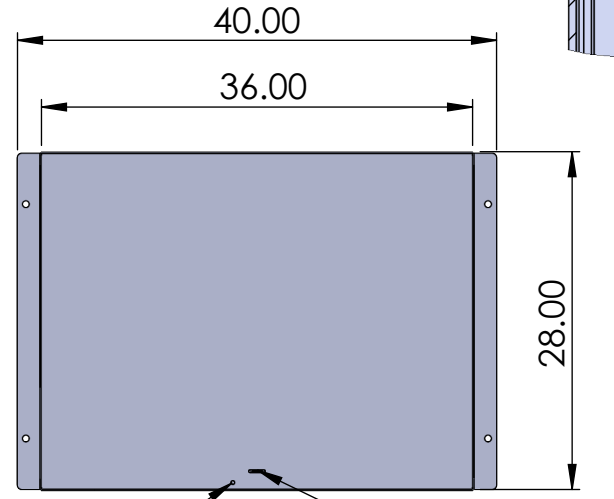
B

B

1/4-20 UNC CARRIAGE BOLT
1-1/2" LENGTH WITH HEX NUT
AND WASHER (12)



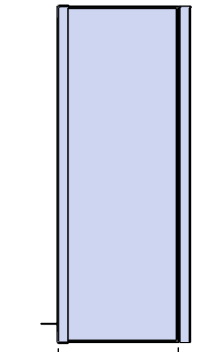
FRONT VIEW
OPENED



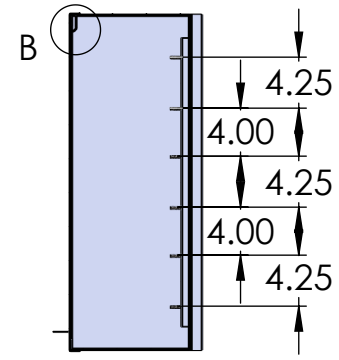
FRONT VIEW
CLOSED

LOCKABLE HASP

1/4" BSW TAPPING



SIDE VIEW



SIDE VIEW
SECTIONED

A

A

EXTERNAL
MOUNTING
TAB

CT MOUNTING
BRACKET (12GA)

| | NAME | DATE |
|-------------|------------|-----------|
| DRAWN BY | N. BOSETTI | 3/19/2026 |
| APPROVED BY | | |

PROPRIETARY AND CONFIDENTIAL
THE INFORMATION CONTAINED IN THIS
DRAWING IS THE SOLE PROPERTY OF
Nav-Tech Inc. ANY REPRODUCTION IN
PART OR AS A WHOLE WITHOUT THE
WRITTEN PERMISSION OF Nav-Tech Inc.
IS PROHIBITED.

NAV-TECH
INCORPORATED

155 MARCUS BLVD
HAUPPAUGE, NEW YORK 11788
PH: (718) 257-2111 FAX: (718) 257-2626

MATL: GALV STEEL
FINISH: POWDER COAT ANSI 61
WEIGHT:

ALL DIMENSIONS
ARE NOMINAL
UNLESS EXPLICITLY
STATED OTHERWISE

DRAWING TITLE:
PSEG NJ NEMA 1 CT CABINET

PART #:
PNJ-CT4-800

DESCRIPTION:
**PSEG NEW JERSEY
UNFURNISHED INDOOR
CT CABINET 400A-800A
600 VAC MAX**

| | | | | |
|---------------------------------|-------------|-----------|-----------------|-----------|
| DO NOT SCALE DRAWING | SCALE: 1:20 | SIZE A | SHEET 1 OF 1 | REV. 5 |
|---------------------------------|-------------|-----------|-----------------|-----------|

2

1